

## Make-A-Lamp Kit #60131 (with Bottle Adapter)

## Project Overview

### What's Inside

- 1 – 8' SPT-1 Lamp Cord (18 Gauge) with polarized plug - White (O)
- 1 – Push Through Socket (Rated: 660W-250V) - Brass Finish (C)
- 3 – 3 Sizes of Bottle Adapters (K)
- 1 – Lamp Nipple (J)
- 1 – Check Ring (I)
- 1 – Lock Nut (N)

### What's Its Purpose

Create your own lamp.

### Tools Needed

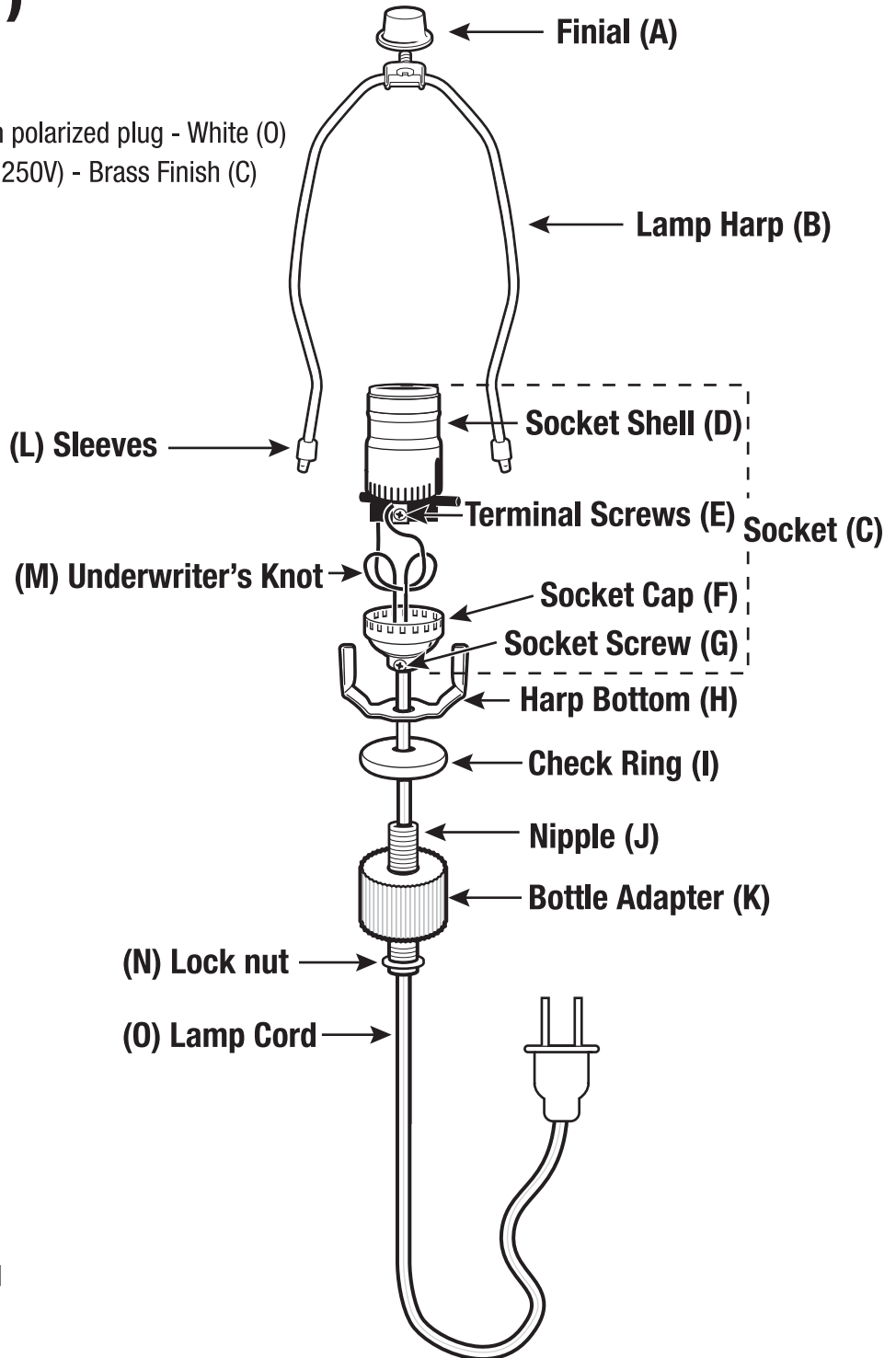
- Screwdriver
- Wire Stripper

### Other Items You Might Need

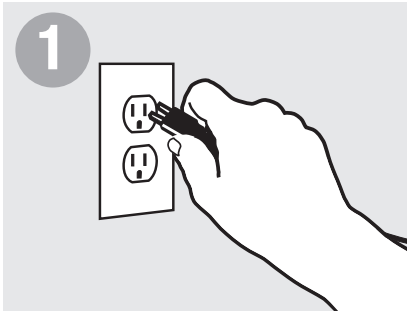
- Harp
- Finial
- Bottle or Vase

### WARNING

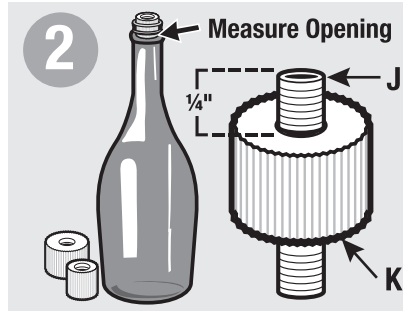
- Before beginning **TURN OFF POWER** by unplugging lamp from wall outlet.
- Follow local electrical regulations or codes when installing and using this product.
- Deviation from the assembly instructions may result in a **risk of fire or electric shock.**
- Light bulbs generate heat – maintain manufacturer's recommended space between shade and bulb.



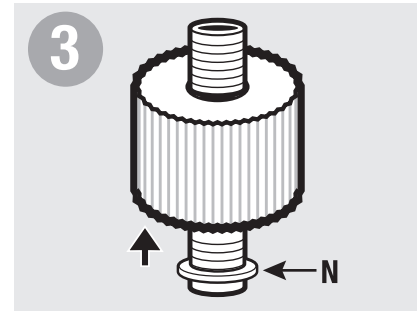
# LAMP Make-A-Lamp Kit



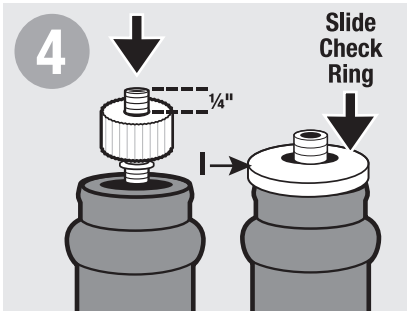
Before beginning **TURN OFF POWER** by unplugging lamp from wall outlet.



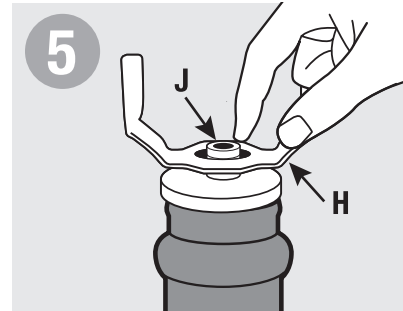
Select bottle with solidly structured, secure base. Choose adapter (K) to fit bottle opening. Screw nipple (J) so 1/4" of nipple sticks out from adapter.



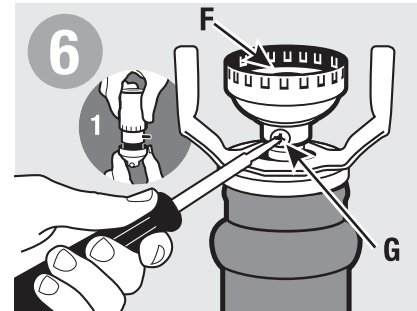
At other end of nipple, thread lock nut (N) until flush with adapter.



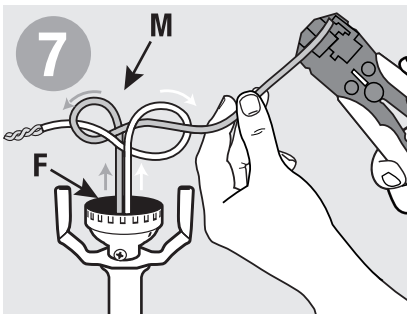
With lock nut end facing down, push adapter into bottle opening so that 1/4" nipple extends from bottle. Slide check ring (I) over nipple to cover opening.



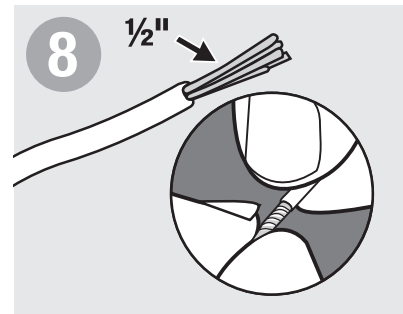
Slide harp bottom (H)\* over lamp nipple (J).



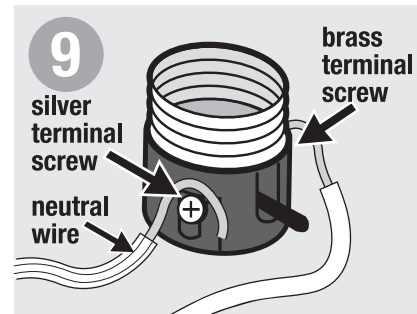
Remove socket cap from socket shell and loosen socket screw (1). Thread socket cap (F) onto lamp nipple and tighten. Tighten socket screw (G). Cardboard insulation disc should be firmly in bottom of socket cap.



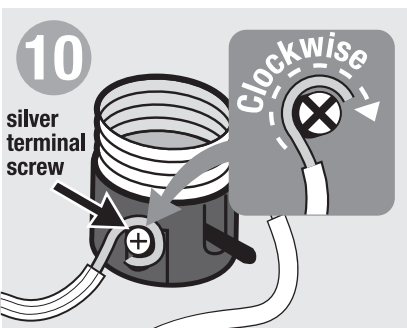
Feed cord through bottom or side of lamp, up through nipple and out socket cap (F). Split cord about 2" from end and tie an Underwriter's Knot (M).



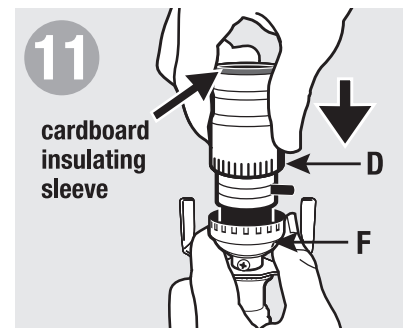
Using wire stripper, expose 1/2" of bare copper strands from cord. Twist copper strands tightly together.



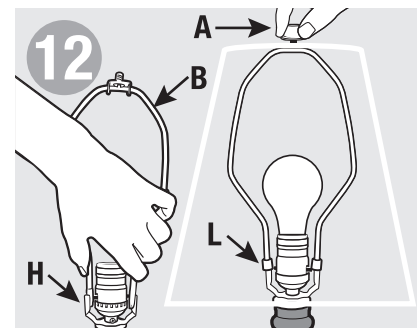
Connect ribbed neutral wire (feel outside of cord for ribbing) around silver terminal screw and smooth wire around brass terminal screw.



Wrap each wire clockwise 3/4 turn under head of terminal screw. Tighten screws. Cut loose strands.



Make sure cardboard lining is firmly in place in socketshell (D). Place socket shell on cap (F). Pull extra wire back through lamp. Snap socket shell (D) into socket cap by gently rocking side-to-side, until shell snaps into place with clicking sound.



Insert top of harp (B) into harp bottom (H) and slide sleeves (L) to lock in place\*. Insert bulb, shade and finial (A).

\* Harp is optional.