

## Offset Swivel Crossbar #60205

### What's Inside

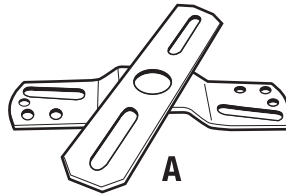
1 – 4" Offset Swivel Crossbar –  
 with Grounding Screw (A)

### What's Its Purpose

Mounting light fixtures, typically used  
 for wall fixtures.

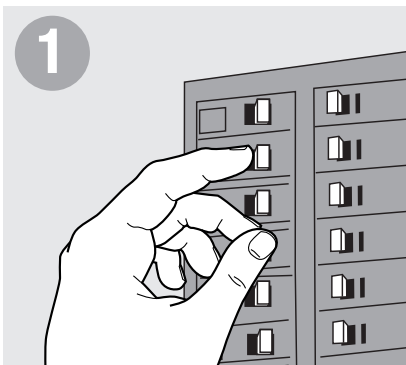
### What's Needed

Mounting Screws  
 Wire Nuts  
 Screwdriver  
 Wire Insulation Stripper  
 Pliers

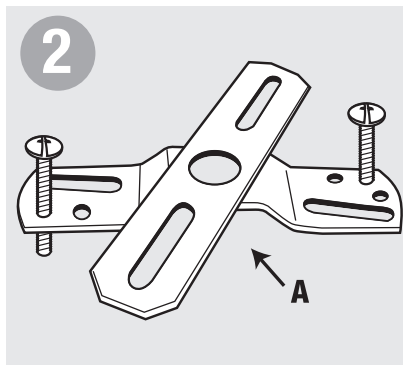


### Warning

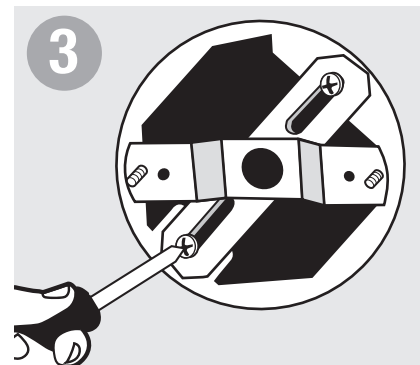
- Before beginning **TURN OFF POWER** to the light from the fuse or circuit breaker.
- Follow local electrical regulations or codes when installing and using this product.
- When installing fixture directly to outlet box, outlet box must be capable of supporting 50 lbs. and be supported by the building structure.



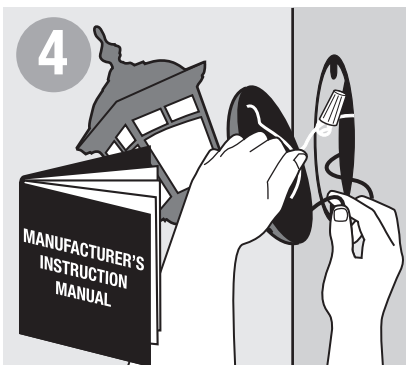
1 Before beginning **TURN OFF POWER** to light from fuse or circuit breaker.



2 On raised side of offset crossbar (A) thread mounting screws (not included) down through each hole that lines up with fixture.



3 With raised side of crossbar towards opening, mount crossbar by inserting 1/2" mounting screws (not included) through slotted holes. Tighten until crossbar is flush.



4 Securely install fixture following manufacturer's instructions.