

Offset Crossbar #60203

What's Inside

- 1 – 4" Offset Crossbar (A)
- 2 – 8-32 x 1/2" Mounting Screws (B)

What's Its Purpose

For mounting light fixtures when extra space is required for wires.

What's Needed

- Mounting Screws
- Wire Nuts
- Screwdriver
- Wire Insulation Stripper
- Pliers



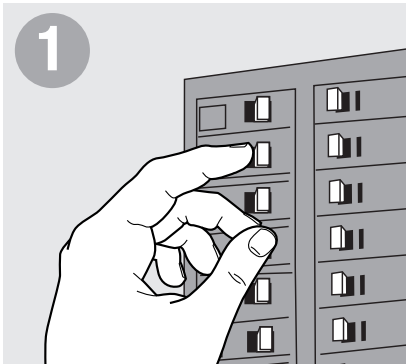
A



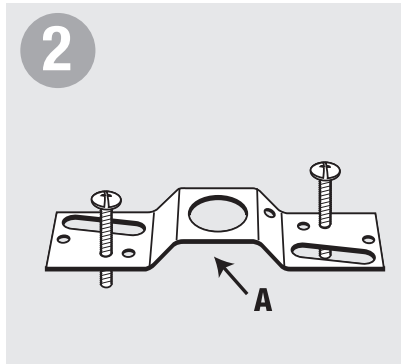
B

Warning

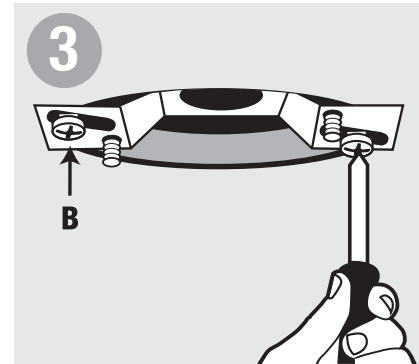
- Before beginning **TURN OFF POWER** to the light from the fuse or circuit breaker.
- Follow local electrical regulations or codes when installing and using this product.
- When installing fixture directly to outlet box, outlet box must be capable of supporting 50 lbs. and be supported by the building structure.



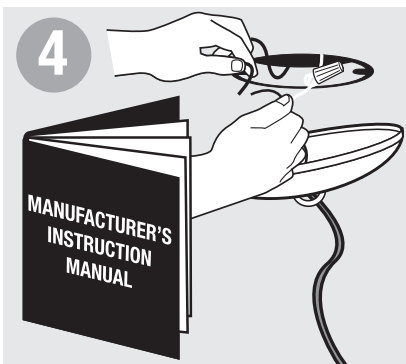
Before beginning **TURN OFF POWER** to light from fuse or circuit breaker.



On raised side of offset crossbar (A) thread mounting screws (not included) down through each hole that lines up with fixture.



With raised side of crossbar towards ceiling, mount crossbar by inserting 1/2" mounting screws (B) through slotted holes. Tighten until crossbar is flush with ceiling.



Securely install fixture following manufacturer's instructions.