

**Crossbar Kit #60201**

**What's Inside**

- 1 – 4" Flat Crossbar – Center Tapped 1/4 IP (A)
- 1 – 3/8 IP X 1/4 IP Hickey (B)
- 1 – 1/4 IP X 1/8 IP Reducer (C)
- 2 – 8-32 x 1/2" Mounting Screws (D)



**What's Its Purpose**

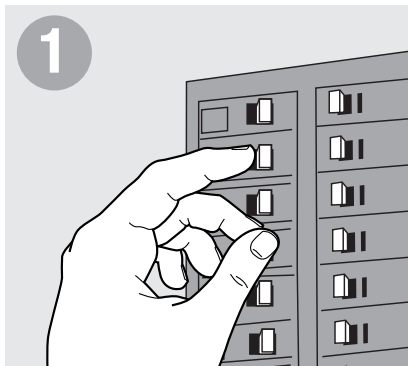
Mounting light fixtures when a nipple is required for mounting.

**What's Needed**

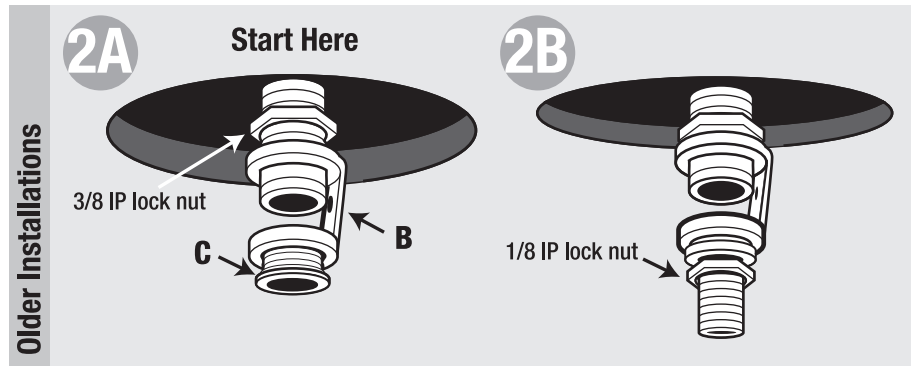
- 1/8 IP Nipple
- 3/8 IP Lock Nut
- 1/8 IP Lock Nut
- Wire Nuts
- Screwdriver
- Wire Insulation Stripper
- Pliers

**Warning**

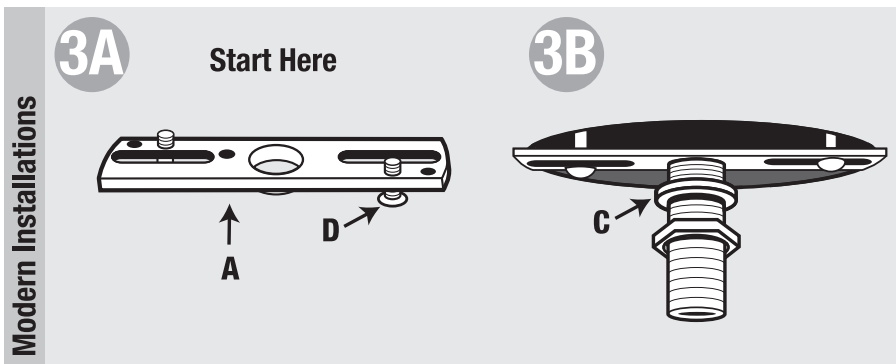
- Before beginning **TURN OFF POWER** to the light from the fuse or circuit breaker.
- Follow local electrical regulations or codes when installing and using this product.
- When installing fixture directly to outlet box, outlet box must be capable of supporting 50 lbs. and be supported by the building structure.



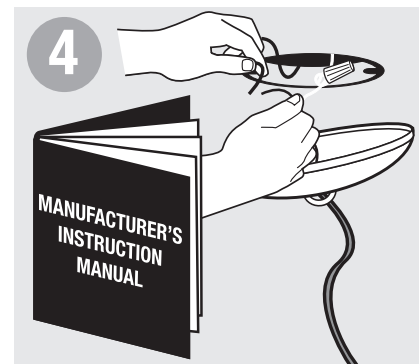
Before beginning **TURN OFF POWER** to light from fuse or circuit breaker.



**3/8 IP nipple at outlet box:** Screw 3/8 IP lock nut onto existing nipple. Thread larger side of hickey (B) onto existing nipple, resting against lock nut. Screw reducer (C) into other end of hickey. Screw 1/8 IP nipple into reducer. Thread 1/8 IP lock nut onto nipple until it rests against reducer.



With flat side of crossbar towards ceiling, mount crossbar (A) by inserting 1/2" mounting screws (D) through holes. Screw reducer (C) into center tap. Screw 1/8 IP nipple into center of reducer. Thread 1/8 IP lock nut onto nipple until it rests against reducer.



Securely install fixture following manufacturer's instructions.