

Brass Balls #60250

What's Inside

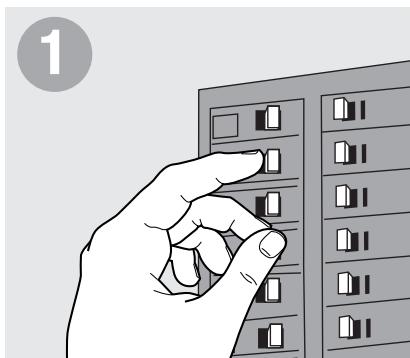
4 – 3/8" Diameter, 8/32 Threaded Balls – Solid Brass

What's Its Purpose

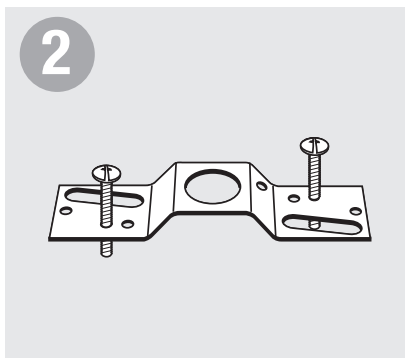
Secures canopy or blank up to crossbar.

Warning

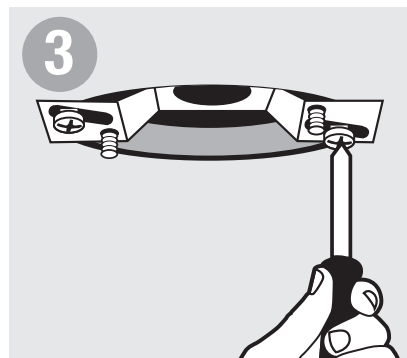
- Before beginning **TURN OFF POWER** to the light from the fuse or circuit breaker.
- Follow local electrical regulations or codes when installing and using this product.



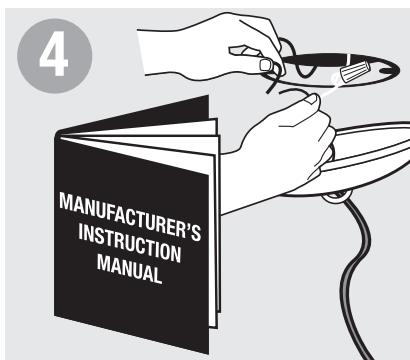
Before beginning **TURN OFF POWER** to light from fuse or circuit breaker.



On raised side of crossbar, thread mounting screws down through each hole that lines up with canopy.



With raised side of crossbar towards ceiling, mount crossbar by inserting mounting screws through slotted holes. Tighten until crossbar is flush with ceiling.



Securely Install fixture following manufacturer's recommended instructions.



Cover with canopy and secure with brass balls.