

Works for Jandorf Ceiling Hickeys:

- #60237 – 1/8 IP x 1/4 IP Ceiling Hickey
- #60238 – 1/8 IP x 1/8 IP Ceiling Hickey
- #60239 – 3/8 IP x 3/8 IP Ceiling Hickey
- #60240 – 1/4 IP x 3/8 IP Ceiling Hickey
- #60241 – 1/8 IP x 3/8 IP Ceiling Hickey

What's Its Purpose

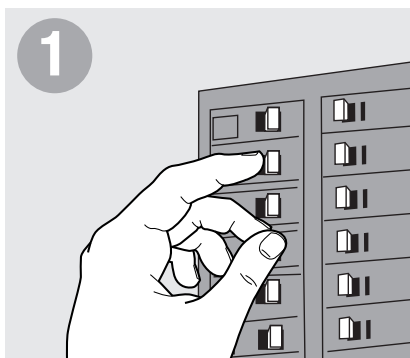
Mounting drop fixtures.

Warning

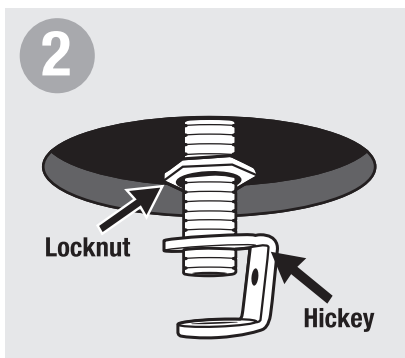
- Before beginning **TURN OFF POWER** to the light from the fuse or circuit breaker.
- Follow local electrical regulations or codes when installing and using this product.
- Outlet box must be capable of holding up to 50 lbs.

What's Needed

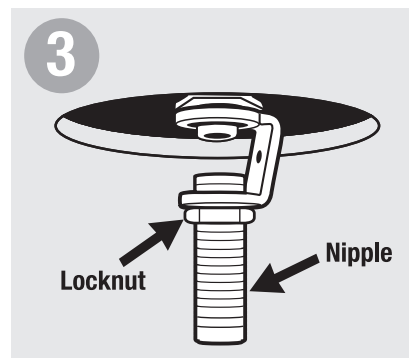
- Locknuts
- Nipple



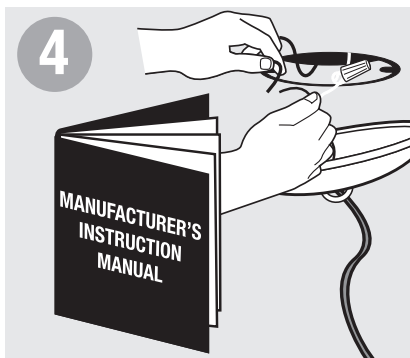
Before beginning **TURN OFF POWER** to light from fuse or circuit breaker.



Screw locknut onto existing nipple. Thread larger side of hickey onto existing nipple, resting against locknut.



Screw nipple into other end of hickey. Thread locknut onto nipple until it rests against hickey.



Securely install fixture following manufacturer's instructions.