

### Works for Jandorf Lock-Up Caps:

- #60230 - Plastic Lock-up Caps 1/8 IP - White
- #60231 - Plastic Lock-up Cap 1/8 IP - Brass Finish
- #60232 - Lock-up Caps 1/8 IP - Brass Finish
- #60233 - Lock-up Caps 1/8 IP - Nickel Finish

### What's Its Purpose

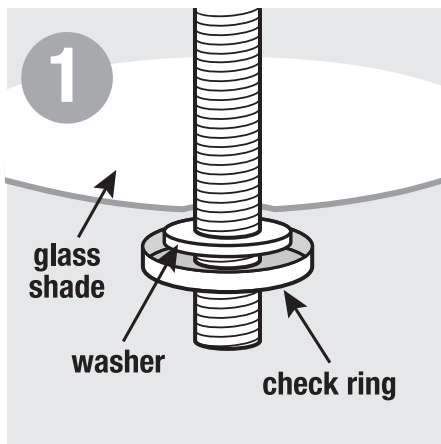
Secures center mount glass shade to ceiling fixture.

### What's Needed

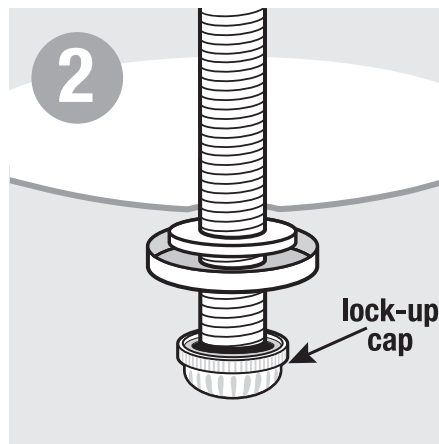
- Glass Shade
- Washer
- Check Ring

### Warning

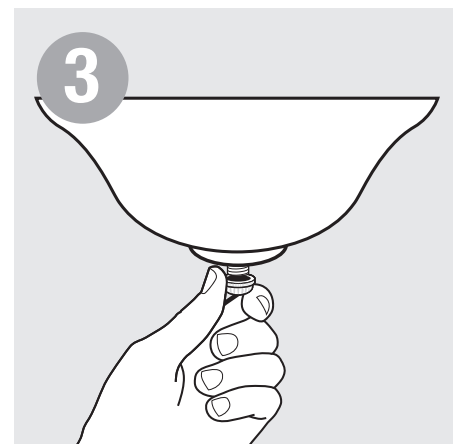
- Before beginning **TURN OFF POWER** to the light from the fuse or circuit breaker.
- Follow local electrical regulations or codes when installing and using this product.



Place glass shade, washer and check ring over nipple.



Screw lock-up cap onto nipple.



Hand tighten.